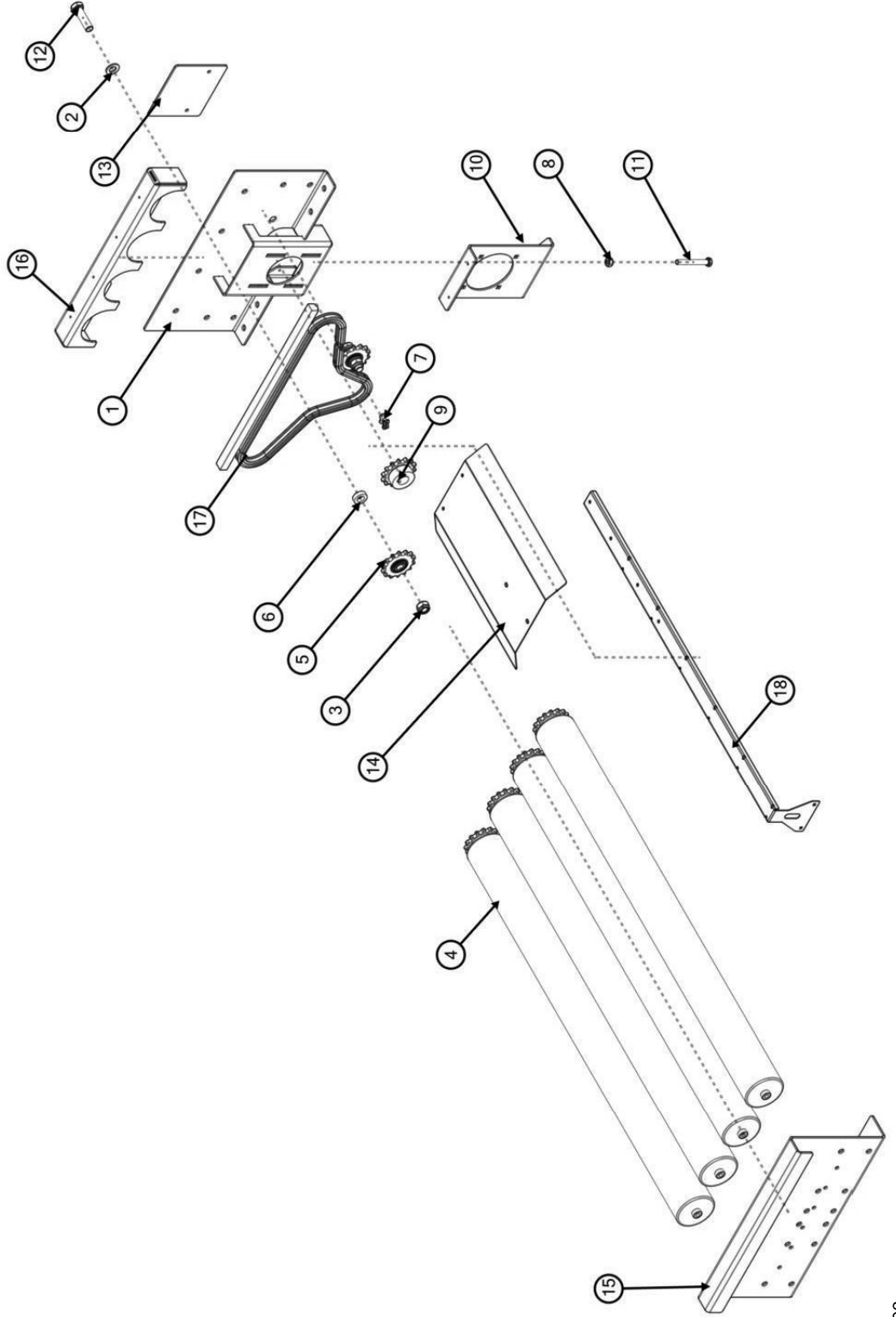
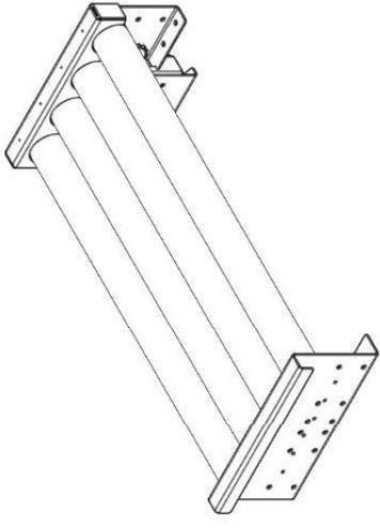


Pos.	QTY.	Part Number	REV.
1	1	VE023954	1
2	1	6064.0020	1
3	1	6064.9010	1
4	1	VP000066	1



Pos.	QTY.	Part Number	REV.
1	1	5224.1221	2_01
2	4	4026.0017	2_03
3	2	4005.0016	2_02
4	4	2022.2030	1
5	2	1302.8100	1
6	2	5120.0002	1
7	1	1300.5020	1
8	3	4007.0210	1
9	1	1302.1022	1
10	1	5000.0419	5
11	1	4003.5080	1
12	2	4002.7035	1
13	1	5000.0420	3
14	1	5000.0422	4
15	1	5017.0232	5
16	1	5017.0233	3
17	2	VE010914	1
18	1	VE017507	1